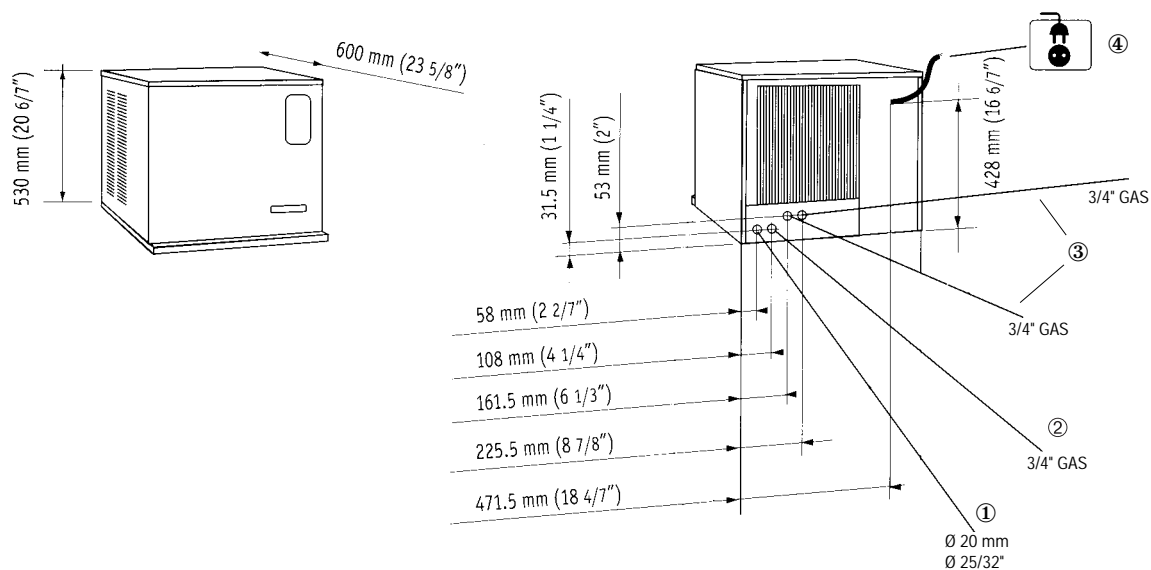


SPECIFICATIONS (CONT'D)



- ① 20 mm - WATER OUTLET
- ② 20 mm - WATER OUTLET - WATER COOLED ONLY
- ③ 3/4" GAS WATER INLET
- ④ CORD SET

Accessoires
KSC 12 - Cube stacking kit

Dimensions:
 HEIGHT 530 mm. (20" 6/7)
 WIDTH 560 mm. (22")
 DEPTH 600 mm. (23 5/8")
 WEIGHT 52 Kgs.

SV 130 - MACHINE SPECIFICATIONS

Model	Cond. unit	Finish	Comp. HP	Water req. lt/24 HR
SV 130 - AS	Air	Stainless Steel	5/8	190
SV 130 - WS	Water			1200*

Model	Basic electr.	amps	Start amps	watts	Electric power cons. Kwhx24 HR.	N. of wires	Amps Fuse
SV 130 - AS	220-240/50/1	4.0	20	750	18	3x1,5 mm ²	10
SV 130 - WS		3.8	20	650	15.6		

Cubes per harvest: 132 Full
 * With water at 15°C