

SIMAG

SC 70

SM 70

SCR 65

SCR 85

"J" SERIES

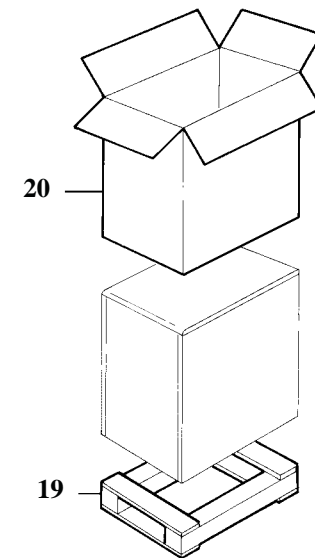
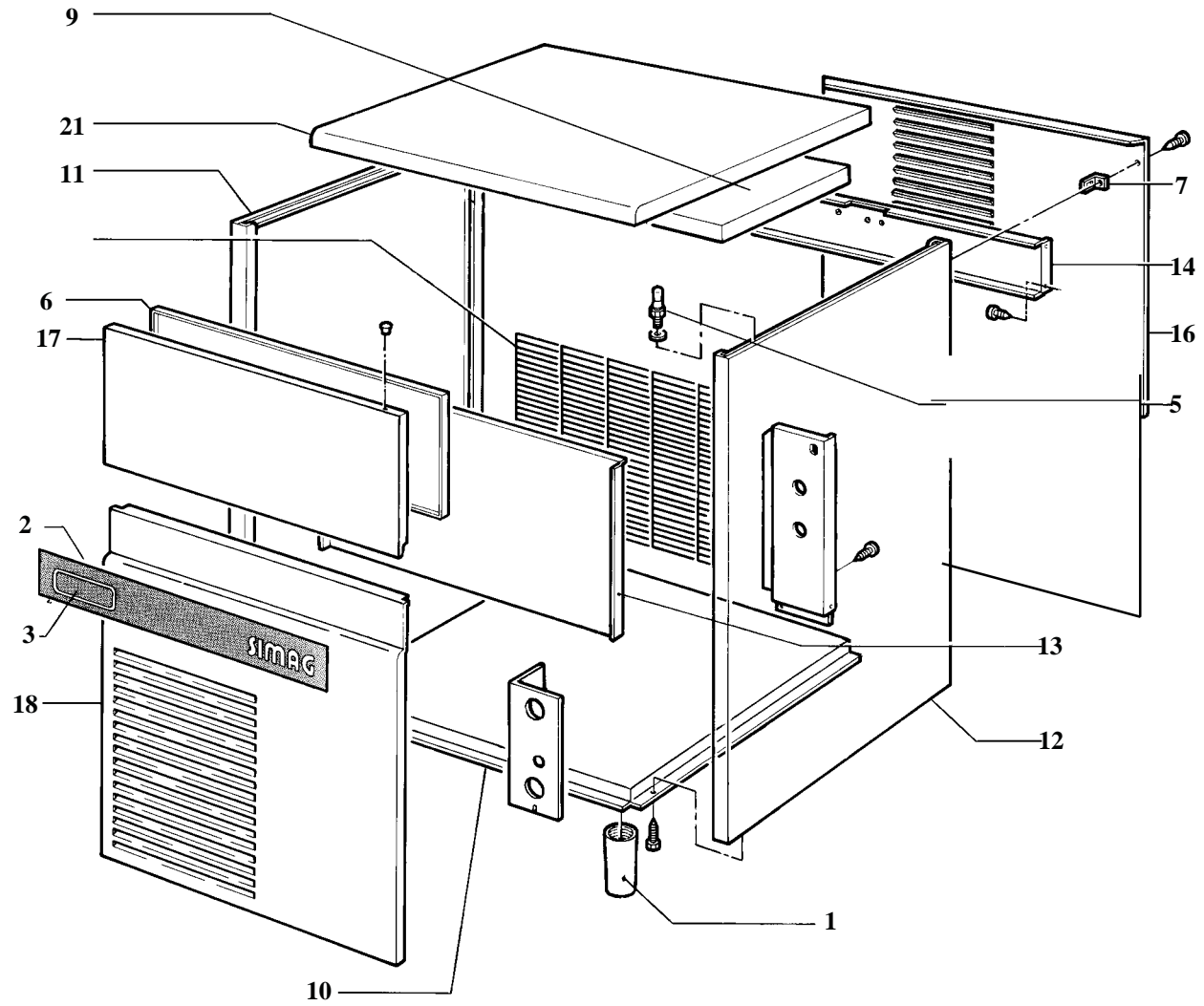
R 134 A VERSION

**SPARE PARTS LIST
CATALOGO RICAMBI
CATALOGUE PIÈCES DÉTACHÉES
ERSATZTEILENKATALOG**

PAGE PAGINA PAGE SEITE	TABLE OF CONTENTS	INDICE	TABLE DES MATIÈRES	INHALTVERZEICHNIS
1	TABLE OF CONTENTS	INDICE	TABLE DES MATIÈRES	INHALTVERZEICHNIS
2-3	TABLE 1 - UNIT PANELS	TAVOLA 1 - ASSIEME MOBILE	TABLE 1 - ENS. CARROSSERIE	TAFEL 1 - MACHINE GEHÄUSE
4-5	TABLE 2 - WATER SYSTEM PUMP CIRCUIT	TAVOLA 2 - SISTEMA IDRAULICO CIRCUITO POMPA	TABLE 2 - SYSTEME HYDRAULIQUE CIRCUIT POMPE	TAFEL 2 - WASSER SYSTEM KREISLAUFPUMP
6-7	TABLE 3 - WATER SYSTEM BIN - WATER INLET/OUTLET	TAVOLA 3 - SISTEMA IDRAULICO CELLA - ENTR. USC. ACQUA	TABLE 3 - SYSTEME HYDRAULIQUE CABINE - ENTR. SORT. EAU	TAFEL 3 - WASSER SYSTEM ZELLE-WASSER EINGANG / AUSGANG
8-9	TABLE 4 - REFRIGERANT SYSTEM AIR COOLED	TAVOLA 4 - SISTEMA REFRIGERANTE RAFFR. AD ARIA	TABLE 4 - CIRCUIT FRIGORIFIQUE REFROID. A AIR	TAFEL 4 - GEFRIERSYSTEM LUFTGEKÜHLT
10-11	TABLE 5 - REFRIGERANT SYSTEM WATER SYSTEM	TAVOLA 5 - SISTEMA REFRIGERANTE RAFFR. AD ACQUA	TABLE 5 - CIRCUIT FRIGORIFIQUE REFROID. A EAU	TAFEL 5 - GEFRIERSYSTEM WASSERGEKÜHL T
12	COMPRESSOR AND ELECTRIC COMPONENT CHARTS	TABELLA COMPRESSORIE COMPONENTI ELETTRICI	LISTE DES COMPRESSEURS ET COMPOSANTS ELECTRIQUE	KOMPRESSOR UND ELEKTRISCHER TEILLISTE

SC 70 - SM 70 - SCR 65 - SCR 85

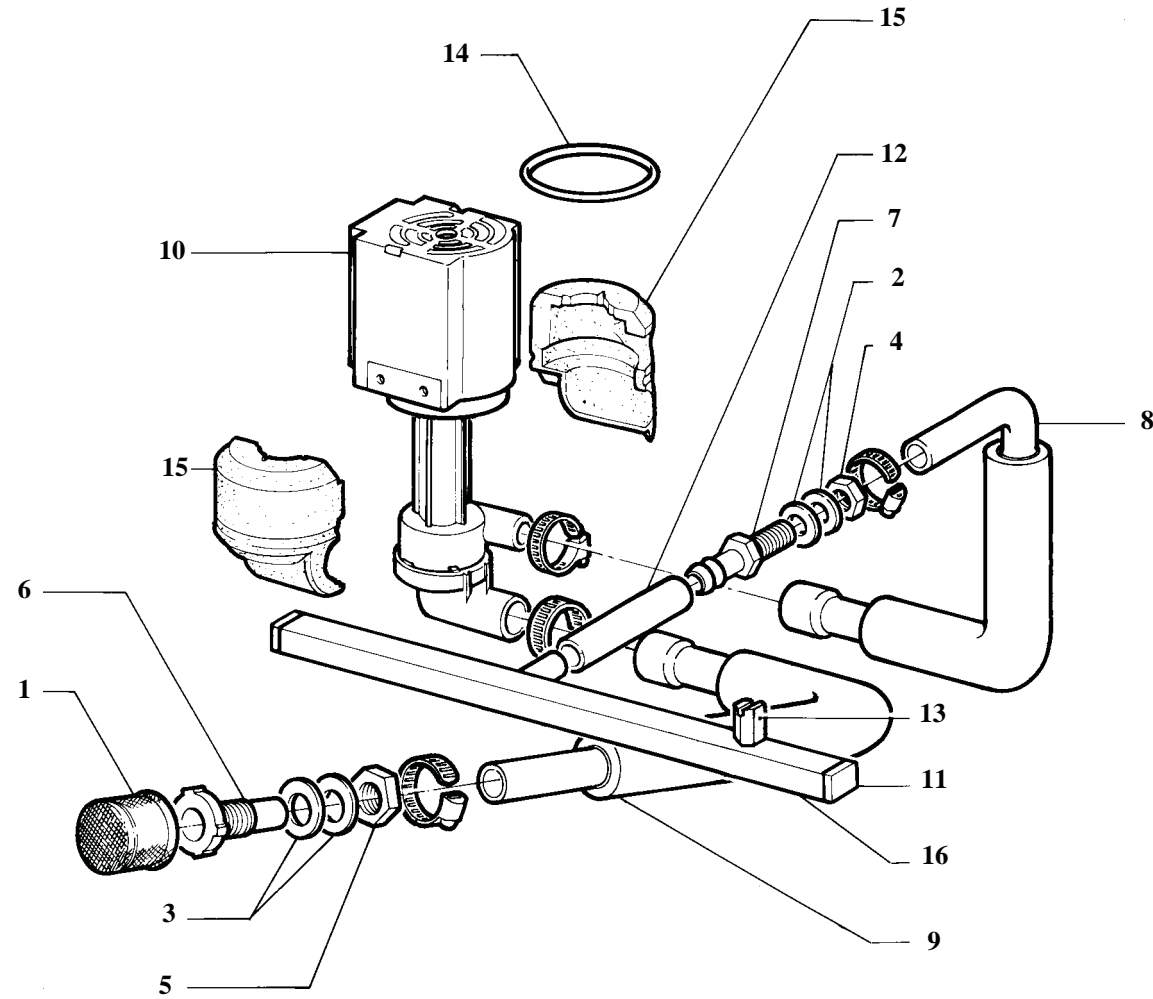
TAVOLA 1



SC 70 - SM 70 - SCR 65 - SCR 85

TAVOLA 1

ITEM NO POS NO REP. NO REF. NO	PART. NO - CODICE REFERENCE - STUECK NR				DESCRIPTION	DESCRIZIONE	DESIGNATION	BESCHREIBUNG
	SC70	SM70	SCR65	SCR85				
1	660638 00				LEVELLING FOOT	PIEDE REGOLABILE	PIED RÉGLABE	GERUATEFUSS
2	650805 00				NAME PLATE	TARGA SERIGRAFATA	PLAQUETTE MARQUE	MARCHENSCHILD
3	650805 21	650805 26	650805 30	650805 31	MODEL LABEL	TARGA MODELLO	PLAQUETTE MODELE	MODELLBEZEICHNUNG
5	650790 00				STUD	PERNO	AXE	STIFT
6-17	060491 25				BIN DOOR	SPORTELLO	PORTE CABINE	SPEICHERTUER
7	650806 00				REAR STUD	PERNO POSTERIORE	AXE ARRIÈRE	TRÄGER - HINTEN
9	Z1AM088				TOP PANEL INSULATION	ISOLAMENTO PANNELLO SUPER.	PANNEAU ISOLANT	ISOLATION
10	781406 09				BASE ASSY	ASSIEME BASAMENTO	PLAQUE DE BASE	GRUNDPLATTE
11	721853 00				LEFT SIDE PANEL S.S.	PANNELLO SINISTRO INOX	JOUE GAUCHE ACIER INOX	LINKE GEHÄUSESEITE EDELSTAHL
12	721852 00				RIGHT SIDE PANEL S.S.	PANNELLO DESTRO INOX	JOUE DROITE ACIER INOX	RECHTEGEHÄUSESE EDELSTAHL
13	702330 00				FRONT SUPPORT	TRAVERSO ANTERIORE	TRAVERSE ANTERIEURE	VORDERE VERBINDUNGSSTREBE
14	704289 00				PUMP SUPPORT PANEL	TRAVERSO SUPPORTO POMPA	TRAVERSE SUPPORT POMPE	HALTERUNG PUMPE
16	702331 00				REAR PANEL	PANNELLO POSTERIORE	PANNEAU POSTERIEUR	HINTERE ABDECKUNG
18	721855 00				FRONT PANEL S.S.	PANNELLO ANTERIORE INOX	PANNEAU AVANT ACIER INOX	VORDERWAND EDELSTAHL
19	680427 00				PALLET	BASE IMBALLO	SOCLE	PALETTE
20	680149 04				CARTON	SCATOLA IMBALLO	CARTON	KARTON
21	781432 03				TOP PANEL S.S.	PANNELLO SUPERIORE INOX	ENS. COUVERCLE	DECKEL GESAMTHEIT



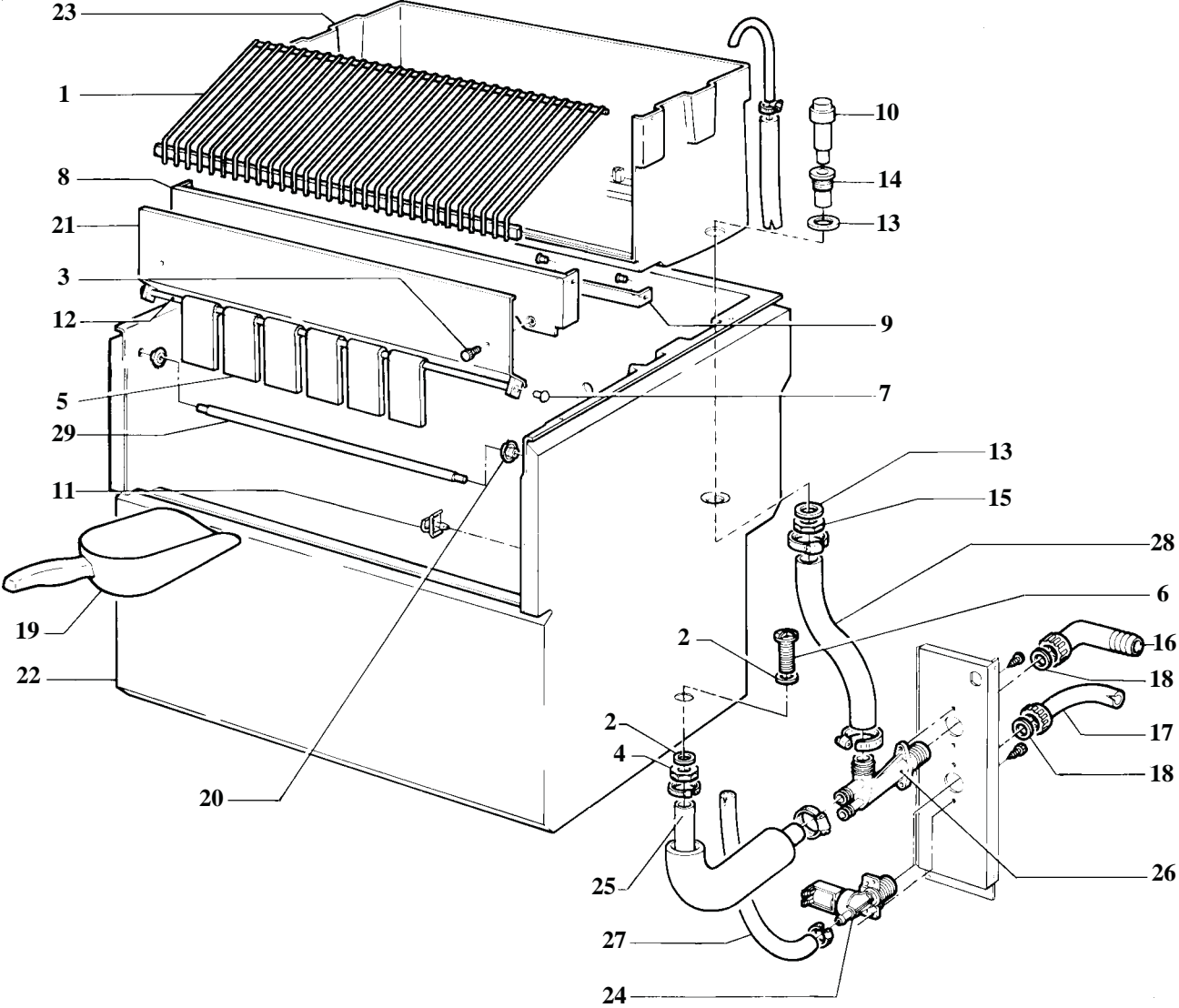
SC 70 - SM 70 - SCR 65 - SCR 85

TAVOLA 2

ITEM NO POS NO REP. NO REF. NO	PART. NO - CODICE REFERENCE - STUECK NR				DESCRIPTION	DESCRIZIONE	DESIGNATION	BESCHREIBUNG
	SC70	SM70	SCR65	SCR85				
1	Z1AC012				PUMP FEEDING FILTER	FILTRO ASPIRAZIONE POMPA	FILTRE ASPIRATION POMPE	PUMPENANSAUGFILTER
2	Z1AC013				WASHER	RONDELLA	RONDELLE	UNTERLEGSCHIEBE
3	Z1AC014				WASHER	RONDELLA	RONDELLE	UNTERLEGSCHIEBE
4	Z1AC016				NUT	DADO	ECROU	MUTTER
5	Z1AC017				NUT	DADO	ECROU	MUTTER
6	Z1AC029				PUMP FEEDING PIPE FITTING	RACCORDO ASPIRAZIONE POMPA	RACCORD ASPIRATION POMPE	ANSAUGANSCHLUSSTUCK
7	Z1AC030				PUMP FEEDING PIPE FITTING	RACCORDO ASPIRAZIONE POMPA	RACCORD ASPIRATION POMPE	ANSAUGANSCHLUSSTUCK
8	Z1ID006				PUMP INLET WATER PIPE	TUBO MANDATA POMPA	TUYAU DE REFOULEMENT POMPE	PUMPENABFLUSSSCHLAUCH
9	610189 01				PUMP FEEDING PIPE	TUBO ASPIRAZIONE POMPA	TUYAU D'ASPIRATION POMPE	PUMPENAGSAUGSCHLAUCH
10	620415 00				WATER PUMP ASSY	ASSIEME POMPA	ENSEMBLE POMPE A EAU	WASSERPUMPE
11	660557 00				PLUG MAINFOLD	TAPPO PER COLLETTORE	BOUCHON POUR COLLECTEUR	STOPFEN
12	281830 04				SPRAY BAR FEEDING PIPE	TUBO ALIMENTAZIONE COLLETTORE	TUYAU D'ALIMENTATION EAU	ANCHLUSSSCHLAUCH KOLLEKTOR
13	660558 00				SPRAY JET	SPRUZZATORI	GICLEURS	SPRÜHDÜSEN
14	Z1ID042				O-RING	ANELLO O.R.	JOINT TORIQUE	O-RING
15	Z1ID043				PUMP COVER INSULATION	ISOLAMENTO POMPA	COUPELLE ISOLANT POUR POMPE	PUMPENISOLATION
16	650665 06	650665 07	650665 15	650665 15	SPRAY BAR	COLLETTORE	COLLECTEUR	KOLLECTOR

SC 70 - SM 70 - SCR 65 - SCR 85

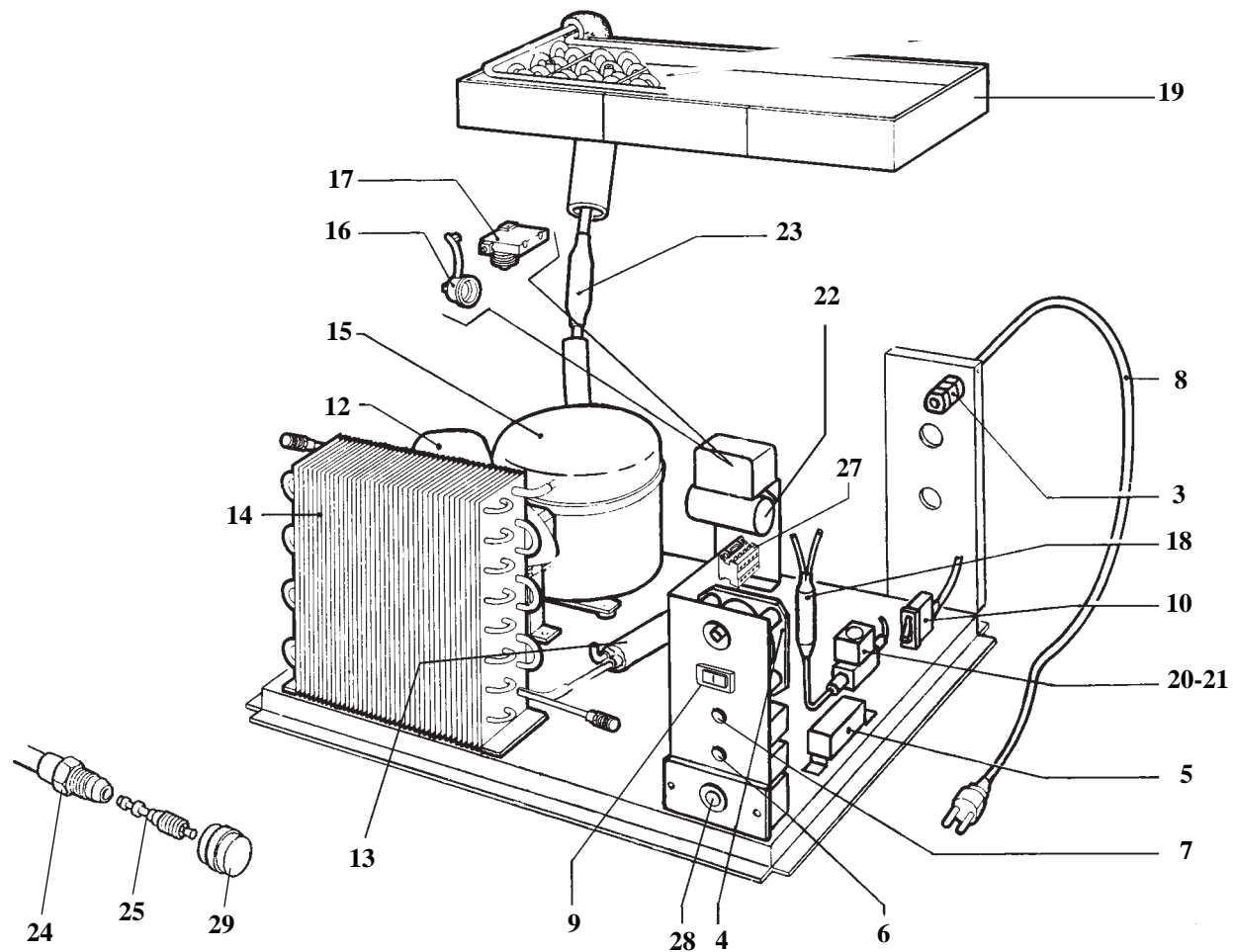
TAVOLA 3



SC 70 - SM 70 - SCR 65 - SCR 85

TAVOLA 3

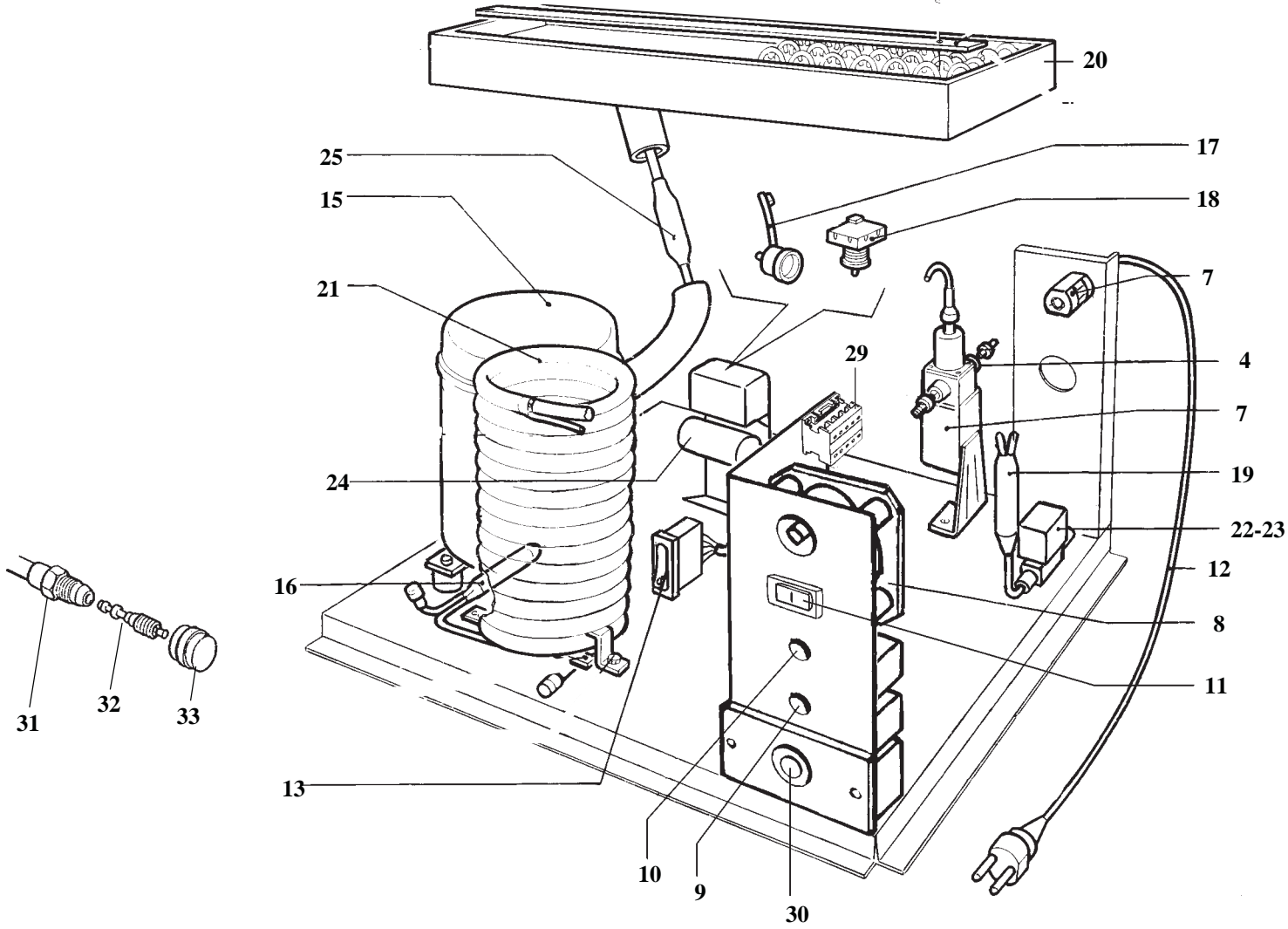
ITEM NO POS NO REP. NO REF. NO	PART. NO - CODICE REFERENCE - STUECK NR				DESCRIPTION	DESCRIZIONE	DESIGNATION	BESCHREIBUNG
	SC70	SM70	SCR65	SCR85				
1	650690 00	Z1AC010	650690 01	650690 01	CUBE DEFLECTOR	GRIGLIA SCORRIMENTO CUBETTI	GRILLE GLISSEMENT GLACONS	ABGLEIT GRILL
2		Z1AC013			WASHER	RONDELLA	RONDELLE	UNTERLEGSCHLEIBE
3		Z1AC015			KNURLED SCREW	VITE A TESTA GODRONATA	VIS MOLETEE	SCHRAUBE
4		Z1AC016			NUT	DADO	ECROU	MUTTER
5		660629 00			SPRAY CURTAIN FLAP	BANDIERINA	LAMELLE	ABDECKKLAPPE
6		Z1AC028			BIN EXHAUST PIPE FITTING	RACC. SCARICO CONTENITORE	RACCORD VIDANGE CONTENEUR	ANCHLUSSTUCH BEHALTER
7		640041 29			O-RING	GUARNIZIONE	JOINT TORIQUE	SIMMER RING
8		724325 00			EVAPORATOR SUPPORT	SUPPORTO EVAPORATORE	SUPPORT EVAPORATEUR	VERDAMPFERAUFLANGE
9		722146 01			BIN SUPPORT	SUPPORTO CELLA	SUPPORT CHAMBRE	HALTERUNG INNENBEHALTER
10		660601 00			OVERFLOW STAND PIPE	TUBO DI TROPPO PIENO	TROP PLEIN	UEBERLAUFROHR
11		470019 00						BEHALTERTHERMOSTATHALTER
12		734328 18			SPRAY CURTAIN BAR	TUBO OTTONE	TUBE EN LAITON	ABDECKKLAPPENHALTER
13		Z1AC056			WASHER	RONDELLA	RONDELLE	UNTERLEGSCHLEIBE
14		Z1AC057			OVERFLOW STAND	RACC. SCARICO TROPPO PIENO	RACCORD ENCOULEM. TROP-PLEIN	UBERLAUFROHR
15		Z1AC058			NUT	DADO	ECROU	MUTTER
16		Z1AD011			ELBOW WITH RING NUT	CURVA CON GHIERA	COUDE AVEC BAGUE	KRUMMER
17		060513 00			WATER SUPPLY PIPE	TUBO ALIMENTAZIONE ACQUA	TUYAU D'ALIMENTATIO D'EAU	WASSERANSCHLUSSSCHLAUCH
18		640076 13			GASKET	GUARNIZIONE	JOINT	DICHTUNG
19		650146 00			ICE SCOOP	SESSOLA	SASSE	EISSCHAUFEL
20		Z1AM025			RETAINER FOR DOOR BAR	PASSATUBO	PASSE-TUYAU	HALTERUNG
21		060524 09			CURAIN FLAP ASSY	ASSIEME TENDINA	ENS. LAMELLES COMPLET	JALOUISE KOMPLETT
22		060524 04			KIT BIN ASSY	KIT CELLA COMPLETA	KIT CHAMBRE COMPLETE	KIT ZELLE KOMPLETT
23		Z1CE032			INTERNAL BIN	CELLA INTERNA	CHAMBRE INTERIEUR	ZELLE INTERN
24		650105 52			WATER INLET VALVE	VALVOLA INGRESSO ACQUA	VANNE ARRIVEE EAU	ELECTROMAGNETVENTIL
25		610189 00			BIN EXHAUST PIPE	TUBO SCARICO CONTENITORE	TUYAU VIDANGE CONTENEUR	BEHALTERAUSLAUFSCHLAUCH
26		Z1ID025			WATER EXHAUST	SCARICO ACQUA	ECOULEMENT EAU	WASSERABLAUF
27		281900 01			PIPE	TUBO	TUBE	SCHLAUCH
28		Z1ID028			PIPE	TUBO	TUBE	SCHLAUCH
29		Z1AM018			DOOR SUPPORT BAR	ASTA SPORTELLO	TIGE PORTE	KLAPPENACHSE



SC 70 - SM 70 - SCR 65 - SCR 85

TAVOLA 4

ITEM NO POS NO REP. NO REF. NO	PART. NO - CODICE REFERENCE - STUECK NR				DESCRIPTION	DESCRIZIONE	DESIGNATION	BESCHREIBUNG
	SC70	SM70	SCR65	SCR85				
3	630107 00				CABLE TERMINAL RING	FISSACAVO	SERRE-CABLE	KABELKLEMME
4	620441 00				TIMER	TIMER	MINUTERIE	TIMER
5	620075 00				PRESSURE GAUGE	PRESSOSTATO	PRESSOSTAT	DRUCHWACHTER
6	630005 00				BIN THERMOSTAT	TERMOSTATO CONTENITORE	TERMOSTAT CONTENEUR	BEHALTERTHERMOSTAT
7	620201 01				EVAPORATOR THERMOSTAT	TERMOSTATO EVAPORATORE	EVAPORATEUR THERMOSTAT	VERDAMPFER THERMOSTAT
8	630136 00				ELECTRIC CABLE	CAVO DI ALIMENTAZIONE	CABLE D'ALIMENTATION	KABEL
9	620442 02				SWITCH	COMMUTATORE	INTERRUPTEUR	UMSHALTER
10	620453 00				MAIN SWITCH	INTERRUTTORE LUMINOSO	INTERRUPTEUR LUMINEUX	LEUCHTEND SHALTER
12	620419 02 620419 33 620419 63	620419 02 620419 33 620419 63	620419 02 620419 33 620419 63	620419 04 620419 33 620419 64	FAN MOTOR FAN BLADE FAN SUPPORT	MOTORE VENTILATORE VENTOLA STAFFA	MOTO-VENTILATEUR PALETTE SUPPORT	LUFTER FACHER HALTER
13	630137 01				MECHANICAL FILTER	FILTRO MECCANICO	FILTRE MECANIQUE	MECHANISHFILTER
14	620405 00	620405 00	620405 00	620440 00	AIR CONDENSER	CONDENSATORE	CONDENSEUR	KONDENSATOR
15	670099 02	670099 02	670099 02	670099 03	COMPRESSOR	COMPRESSORE	COMPRESSEUR	KOMPRESSOR
16	650058 39	650058 39	650058 39	620058 42	PROTECTOR	PROTETTORE	RACCORD EVACUATION EAU	WASSERABFLUSSANSCHLUSSE
17	620057 44	620057 44	620057 44	620057 45	STARTING RELAY	RELE' DI AVVIAMENTO	RELAIS DEMARRAGE	ANLAUFRELAIS
18	630003 06				FILTER	FILTRO	FILTRE	FILTER
19	784492 00	784489 00	784463 01	784463 01	EVAPORATOR ASSY	ASSIEME EVAPORATORE	ENS. EVAPORATEUR	VERDAMPFER KOMPLETT
20-21	620306 27 620306 48	620306 27 620306 48	620306 27 620306 48	620306 46 620306 48	HOT GAS VALVE BODY HOT GAS VALVE COIL	CORPO VALVOLA GAS CALDO BOBINA VALVOLA GAS CALDO	CORPS DE VANNE GAZ CHAUD BOBINE DE VANNE GAZ CHAUD	HEISSGAS VENTILGEHAUSE HEISSGAS VENTILSPULE
22	620167 01	620167 01	620167 01	620167 01	START CAPACITOR	CONDENSATORE DI SPUNTO	CAPACITE' DEMARRAGE	START KONDENSATOR
23	784444 06	784444 06	78444406	784444 11	ACCUMULATOR ASSY	ASSIEME ACCUMULATORE	ENSAMBLE ACCUMULATEUR	SAMMLER UND SUGLEITUNGEN
24	650109 00				VALVE BODY	CORPO VALVOLA	CORPS DE VANNE	VENTILGEHAUSE
25	670012 00				PISTON	PISTONCINO PER VALVOLA	VALVE PISTON	VENTILKOLBEN
27	630119 02				CONTACTOR	CONTATTORE	CONTACTEUR	SHALTSCHUTZ
28	620443 02				SAFETY THERMOSTAT	TERMOSTATO DI SICUREZZA	THERMOSTAT DE SECURITE'	SICHERHEITSTHERMOSTAT
29	650106 00				VALVE CAP	CAPPUCCIO VALVOLA	CAPUCHON DE VANNE	VENTIL KLASPE



SC 70 - SM 70 - SCR 65 - SCR 85

TAVOLA 5

ITEM NO POS NO REP. NO REF. NO	PART. NO - CODICE REFERENCE - STUECK NR				DESCRIPTION	DESCRIZIONE	DESIGNATION	BESCHREIBUNG
	SC70	SM70	SCR65	SCR85				
4	620111 00				WATER VALVE	VALVOLA PRESSOSTATICA	VANNE PRESSOSTATIQUE	WASSERVENTIL
7	630107 00				CABLE TERMINAL RING	FISSACAVO	SERRE-CABLE	KABELKLEMME
8	620441 00				TIMER	TIMER	MINUTERIE	TIMER
9	630005 00				BIN THERMOSTAT	TERMOSTATO CONTENITORE	THERMOSTAT CONTENEUR	BEHALTERTHERMOSTAT
10	620201 01				EVAPORATOR THERMOSTAT	TERMOSTATO EVAPORATORE	EVAPORATEUR THERMOSTAT	VERDAMPFERTHERMOSTAT
11	620442 01				SWITCH	COMMUTATORE	INTERRUPTEUR	UMSHALTER
12	630136 00				ELECTRIC CABLE	CAVO DI ALIMENTAZIONE	CABLE D'ALIMENTATION	KABEL
13	620453 00				MAIN SWITCH	INTERRUTTORE LUMINOSO	INTERRUPTEUR LUMINEUX	LEUCHTEND SHALTER
15	670099 02	670099 02	670099 02	670099 03	COMPRESSOR	COMPRESSORE	COMPRESSEUR	KOMPRESSOR
16	630137 01	630137 01	630137 01	630137 01	MECHANICAL FILTER	FILTRO MECCANICO	FILTRE MECANIQUE	MECHANISHFILTER
17	650058 39	650058 39	650058 39	650058 42	PROTECTOR	PROTETTORE	RACCORD EVACUATION EAU	WASSERABFLUSSANSCHLUSSE
18	620057 44	620057 44	620057 44	620057 45	STARTING RELAY	RELE' DI AVVIAMENTO	RELAIS DEMARRAGE	ANLAUFRELAIS
19	630003 06				FILTER	FILTRO	FILTRE	FILTER
20	784492 00	784489 00	784463 01	784463 01	EVAPORATOR ASSY	ASSIEME EVAPORATORE	ENS. EVAPORATEUR	VERDAMPFER KOMPLETT
21	620331 00	620331 00	620331 00	620331 00	WATER CONDENSER	CONDENSATORE AD ACQUA	CONDENSEUR A EAU	WASSER KONDENSATOR
22-23	620306 27 620306 48	620306 27 620306 48	620306 27 620306 48	620306 46 620306 48	HOT GAS VALVE BODY HOT GAS VALVE COIL	CORPO VALVOLA GAS CALDO BOBINE VALVOLA GAS CALDO	CORPS DE VANNE GAZ CHAUD BOBINE DE VANNE GAZ CHAUD	EISSGAS VENTILGHEAUSE HEISSGAS VENTILSPULE
24	620167 01	620167 01	620167 01	620167 01	START CAPACITOR	CONDENSATORE DI SPUNTO	CAPACITE' DEMARRAGE	START KONDENSATOR
25	784444 06	784444 06	784444 06	784444 11	ACCUMULATOR ASSY	ASSIEME ACCUMULATORE	ENSAMBLE ACCUMULATEUR	SAMMLER UND SUGLEITUNGEN
29	630119 02				CONTACTOR	CONTATTORE	CONTACTEUR	SHALTSCHUTZ
30	620443 02				SAFETY THERMOSTAT	TERMOSTATO DI SICUREZZA	THERMOSTAT DE SECURITE'	SICHERHEITSTHERMOSTAT
31	650109 00				VALVE BODY	CORPO VALVOLA	CORPS DE VANNE	VENTILGHEAUSE
32	670012 00				PISTON	PISTONCINO PER VALVOLA	VALVE PISTON	VENTILKOLBEN
33	650106 00				VALVE CAP	CAPPUCCIO VALVOLA	CAPUCHON DE VANNE	VENTIL Klappe

SC70 - SM70 - SCR65 - SCR85						
COMPRESSOR CHART, TABELLA COMPRESSORI, TABLEAU COMPRESSEUR, KOMPRESSOR KARTE						
MODEL MODELLO MODELE MODELL	VOLTS TENSIONE TENSION SPANNUNG	COMPRESSOR MODEL MOD. COMPRESSORE TYPE COMPRESSEUR KOMPRESSOR TYP	COMPRESSOR COMPRESSORE COMPRESSEUR KOMPRESSOR	RELAY RELE' RELAIS RELAIS	PROTECTOR PROTETTORE PROTECTEUR SCHUTZGERAT	START CAPACITOR CAPACITA' D'AVV. CAPACITE' DE DEMARRAGE START KONDENSATOR
SC70 SM70 SCR65 SCR85	115/60/1 115/60/1 115/60/1 115/60/1	- - - -	- - - -	- - - -	- - - -	- - - -
SC70 SM70 SCR65 SCR85	230/60/1 230/60/1 230/60/1 230/60/1	CAJ4461Y CAJ4461Y - -	670099 07 670099 07 - -	620057 48 620057 48 - -	650058 78 650058 78 - -	620167 01 620167 01 - -
SC70 SM70 SCR65 SCR85	230/50/1 230/50/1 230/50/1 230/50/1	CAJ4461Y CAJ4461Y CAJ4461Y CAJ4492Y	670097 02 670097 02 670097 02 670099 03	620057 44 620057 44 620057 44 620057 45	620058 39 620058 39 620058 39 620058 42	620167 01 620167 01 620167 01 620167 01
SC70 - SM70 - SCR65 - SCR85						
ELECTRIC COMPONENTS CHART, TABELLA COMPONENTI ELETTRICI, TABLEAU COMPOSANTS ELECTRIQUE, ELEKTRISCHEKARTE						
MODEL MODELLO MODELE MODELL	VOLTS TENSIONE TENSION SPANNUNG	WATER PUMP POMPA POMPE A EAU WASSER PUMPE	FAN MOTOR ONLY MOTORE VENTILATORE MOTEUR VENTILATEUR LUFTER MOTOR	WATER INLET VALVE VALV. INGR. ACQUA V.E.M. ARRIVEE' EAU WASSEREIN. VENTIL	HOT GAS VALVE VALVOLA GAS CALDO V.E.M. GAZ CHAUDS HEISSGAZ VENTIL	TIMER TIMER MINUTERIE TIMER
SC70 SM70 SCR65 SCR85	115/60/1 115/60/1 115/60/1 115/60/1	- - - -	- - - -	- - - -	- - - -	- - - -
SC70 SM70 SCR65 SCR85	230/60/1 230/60/1 230/60/1 230/60/1	620415 01 620415 01 - -	620419 02 620419 02 - -	650105 52 650105 52 - -	620306 27 / 620306 48 620306 27 / 620306 48 - -	620441 00 620441 00 - -
SC70 SM70 SCR65 SCR85	230/50/1 230/50/1 230/50/1 230/50/1	620415 00 620415 00 620415 00 620415 00	620419 02 620419 02 620419 02 620419 04	650105 52 650105 52 650105 52 650105 52	620306 27 / 620306 48 620306 27 / 620306 48 620306 27 / 620306 48 620306 46 / 620306 48	620441 00 620441 00 620441 00 620441 00

SIMAG

ICE MACHINES

www.simag.it

SIMAG
via Risorgimento, 4
20017 Mazzo di Rho (MI) - Italy
Tel. +39 02 93900215 (Commerciale - Sales Dept.)
Tel. +39 02 93960357 (Assistenza - Service Dept.)
Fax +39 02 93900226 (Commerciale - Sales Dept.)
Fax +39 02 93960366 (Assistenza - Service Dept.)
e-mail: sales@simag.it
e-mail: service@simag.it

Singapore Office
SIMAG FAR EAST
627A Aljunied Road
04-04 Biztech Centre
Singapore 389842
Tel. ++65 6738 5393
Fax ++65 6738 1959
e-mail: scotsice@singnet.com.sg



Certified ISO 9001
TOTAL QUALITY

