

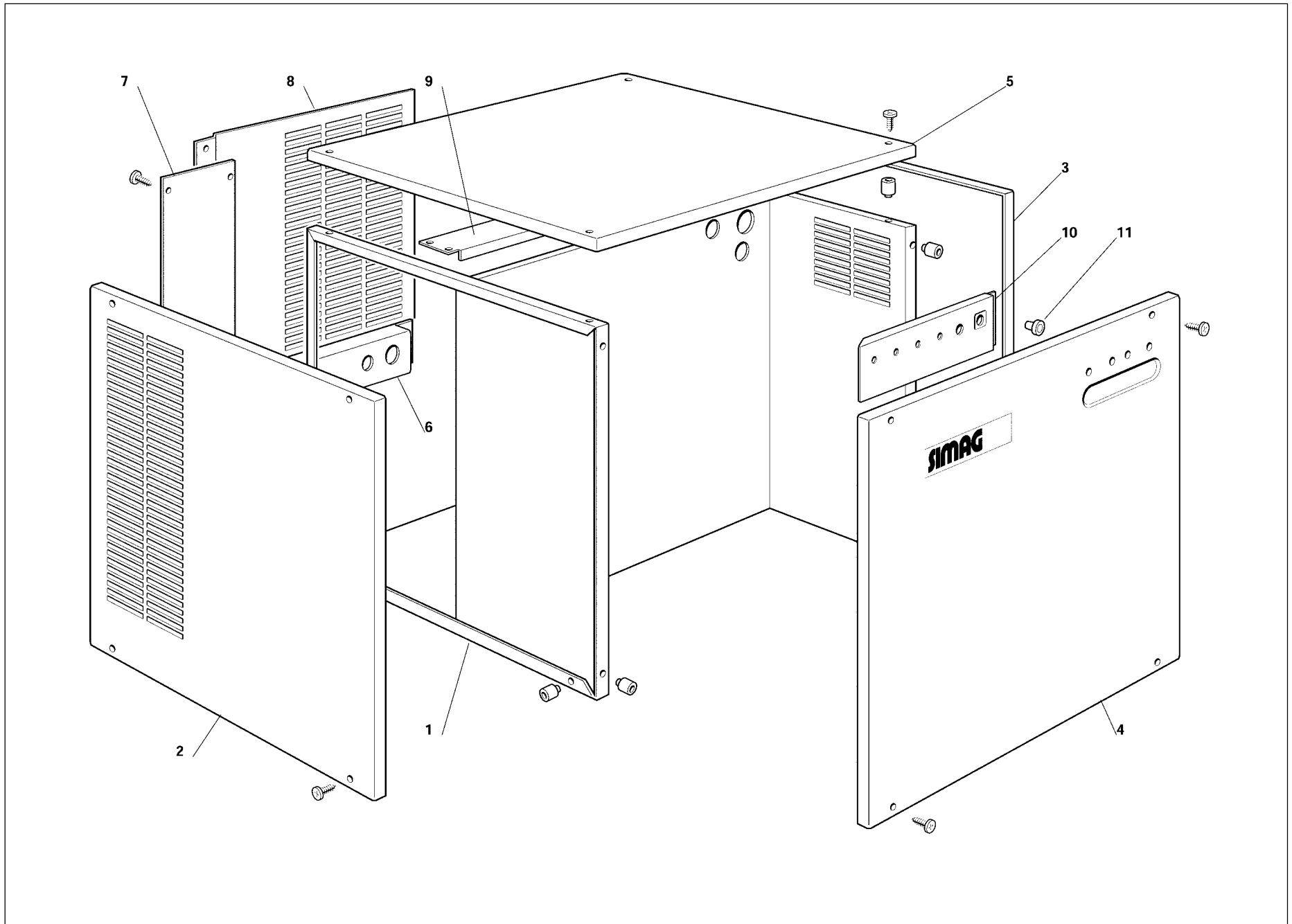
# **SIMAG**

**Electronic  
modular cuber**

## **SV 130**

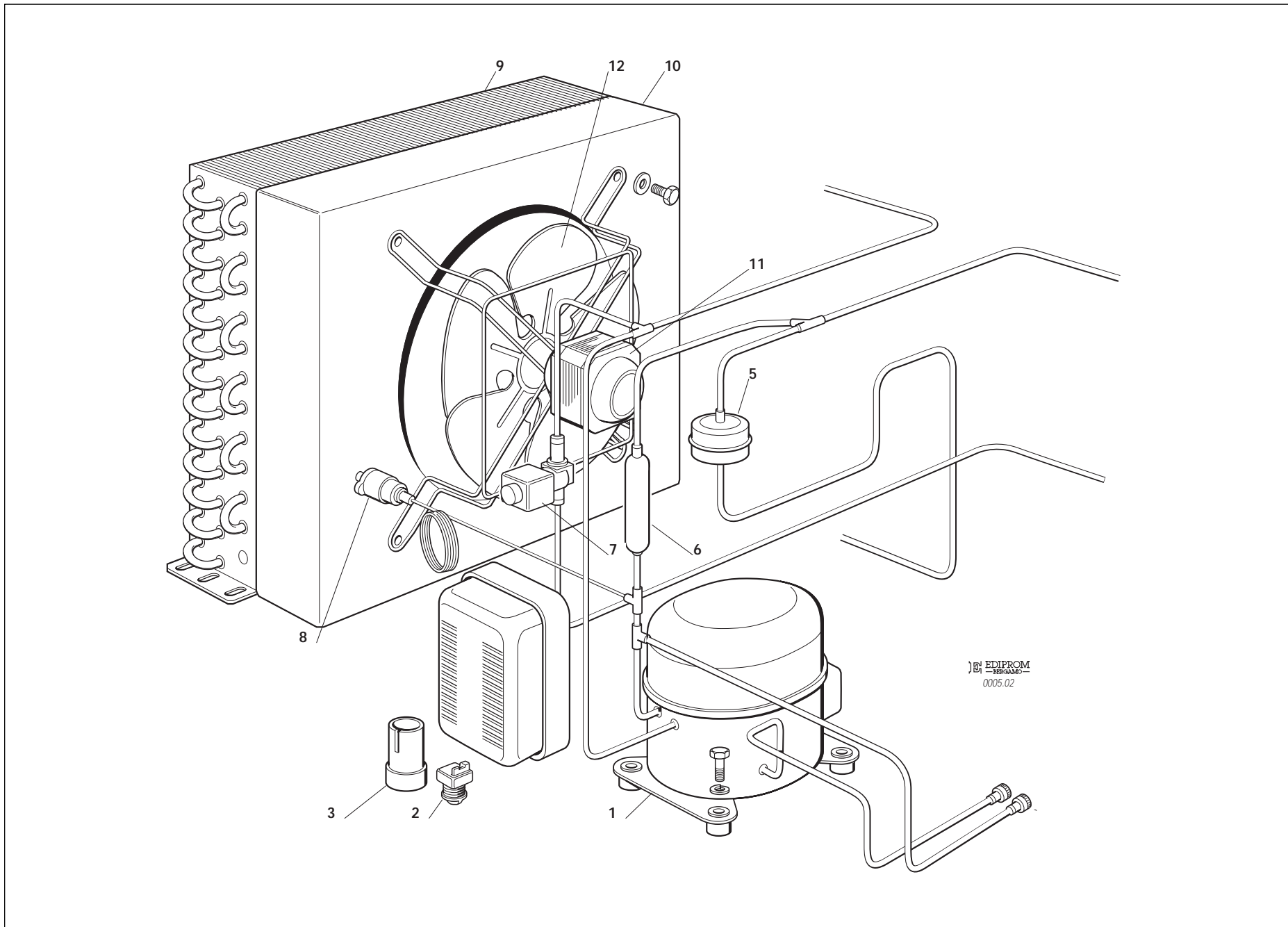
**SPARE PARTS LIST  
CATALOGO RICAMBI  
CATALOGUE PIÈCES DÉTACHÉES  
ERSATZTEILENKATALOG**

PAGE PAGINA PAGE SEITE	TABLE OF CONTENTS	INDICE	TABLE DES MATIÈRES	INHALTVERZEICHNIS
1	TABLE OF CONTENTS	INDICE	TABLE DES MATIÈRES	INHALTVERZEICHNIS
2-3	CABINET ASSY	ASSIEME MOBILE	ENSEMBLE CAROSSERIE	AUSSENWANDE
4-5	REFRIGERANT SYSTEM AIR COOLED	SISTEMA REFRIGERANTE RAFFR. AD ARIA	CIRCUIT FRIGORIFIQUE REFROID. A AIR	GEFRIERSYSTEM LUFTGEKÜHLT
6-7	REFRIGERANT SYSTEM WATER COOLED	SISTEMA REFRIGERANTE RAFFR. AD ACQUA	CIRCUIT FRIGORIFIQUE REFROID. A EAU	GEFRIERSYSTEM WASSERGEKÜHLT
8-9	ICE MAKING SYSTEM	GRUPPO EVAPORATORE	GROUP EVAPORATEUR	VERDAMPFER
10-11	P.C. BOARD AND SENSORS ASSY	SCHEDA ELETTRONICA E SENSORI	ENS. CARTE ELECTRONIQUE ET DETECTEURS	ELEKTRONISCHE PLATINE UND TEMPERRATURFUEHLERENHEIT



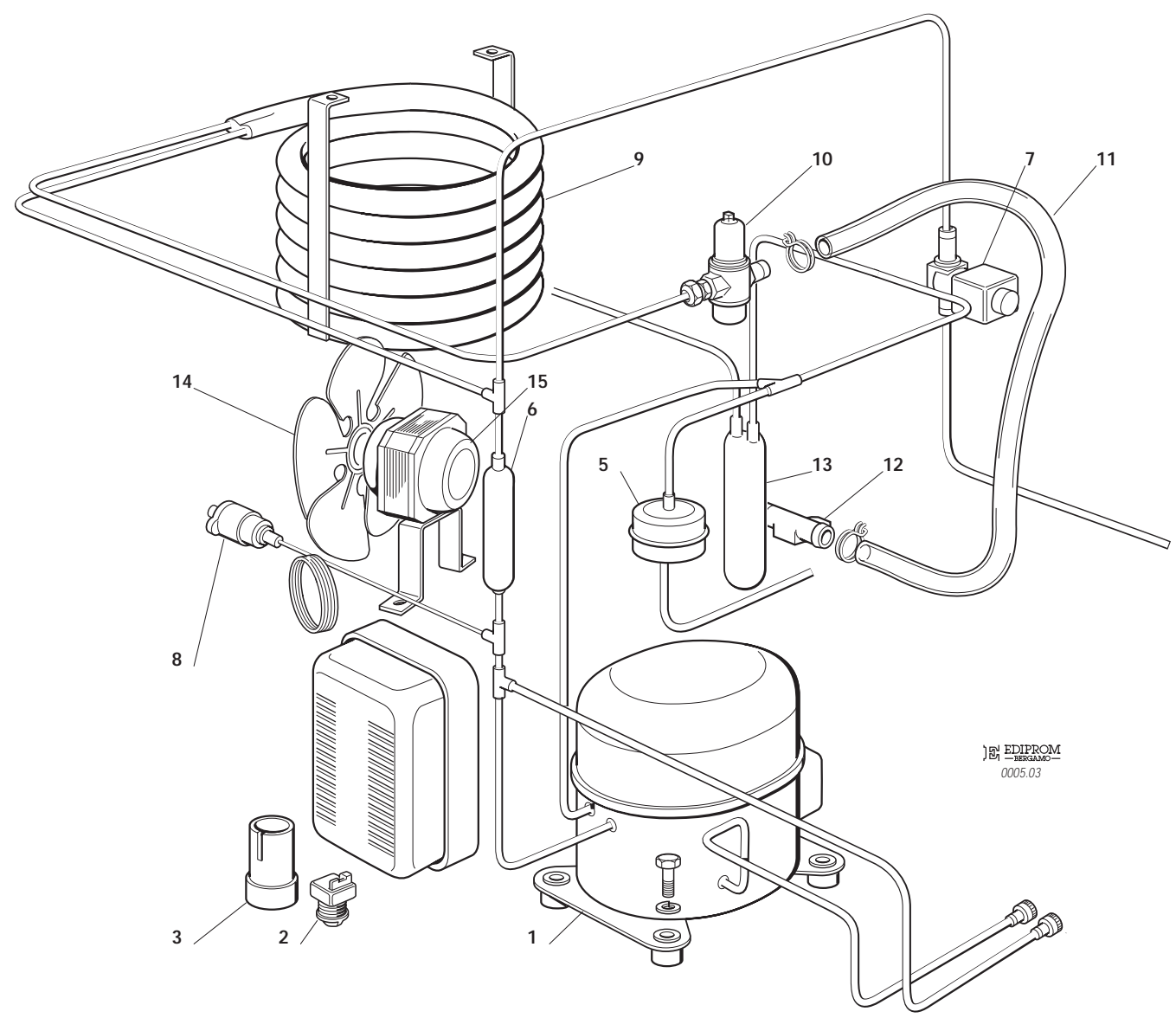
## SV 130 - CABINET ASSY - ASS. MOBILE - ENSEMBLE CAROSSERIE - AUSSENWAENDE

ITEM NO POS NO REP. NO REF. NO	PART NO CODICE REFERENCE STUECK NR	DESCRIPTION	DESCRIZIONE	DESIGNATION	BESCHREIBUNG
1	CM 81453474	UNIT FRAME	ASSIEME TELAIO	ENS. CHASSIS	GEHAUSETEILE
2	CM 25330778	PANEL, LEFT SIDE	PANNELLO LAT. SX	PANNEAU GAUCHE	LINKSWAND
3	CM 25330776	PANEL, RIGHT SIDE	PANNELLO LAT. DX	PANNEAU DROITE	RECHTSWAND
4	CM 81453510	PANEL, FRONT	PANNELLO FRONTALE	PANNEAU AVANT	VORDERWAND
5	CM 25161128	PANEL, TOP	PANNELLO SUPERIORE	PANNEAU DESSUS	ABDECKHAUBE
6	CM 25726523 CM 25726526	METAL BRACKET FOR FITTINGS - AIR COOLED METAL BRACKET FOR FITTINGS - WATER COOLED	SUPPORTO ATTACCHI - ARIA SUPPORTO ATTACCHI - ACQUA	SUPPORT DE RACCORDS - AIR SUPPORT DE RACCORDS - EAU	METALLTRÄGER - LUFT METALLTRÄGER - WASSER
7	CM 25550774	PANEL, REAR - AIR COOLED	PANNELLO POSTERIORE - ARIA	PANNEAU ARRIERE - AIR	RUECKWAND - LUFT
8	CM 25550754	PANEL, REAR - WATER COOLED	PANNELLO POSTERIORE - ACQUA	PANNEAU ARRIERE - EAU	RUECKWAND - WASSER
9	CM 25753269	METAL BRACKET	SUPPORTO IN METALLO	SUPPORT METALLIQUE	METALTRÄGER
10	CM 25725520	MONITORING CONSOLE PANEL	PANNELLO PORTA LED	PANNEAU SIGNALISATION	ÜBERWACHUNGKONSOLE
11	CM 33500026	LED FITTING	PORTA LED	PORTE LED	LEDTRÄGER



**SV 130 - REFRIGERANT SYSTEM AIR COOLED - SISTEMA REFRIGERANTE RAFFR. AD ARIA**  
**CIRCUIT FRIGORIFIQUE REFROID. PAR AIR - LUFTGEKÜHLTE GEFRIERSYSTEM**

ITEM NO POS NO REP. NO REF. NO	PART NO CODICE REFERENCE STUECK NR	DESCRIPTION	DESCRIZIONE	DESIGNATION	BESCHREIBUNG
1	670101 03 620058 51	COMPRESSOR - 230/50/1 COMPRESSOR - 230/60/1 PROTECTOR - 230/50/1 PROTECTOR - 230/60/1	COMPRESSORE - 230/50/1 COMPRESSORE - 230/60/1 PROTETTORE - 230/50/1 PROTETTORE - 230/60/1	COMPRESSEUR - 230/50/1 COMPRESSEUR - 230/60/1 PROTECTEUR - 230/50/1 PROTECTEUR - 230/60/1	KOMPRESSOR - 230/50/1 KOMPRESSOR - 230/60/1 SCHUTZVORRICHTUNG - 230/50/1 SCHUTZVORRICHTUNG - 230/60/1
2	620168 22	STARTING RELAY - 230/50/1 STARTING RELAY - 230/60/1	RELE AVVIAMENTO - 230/50/1 RELE AVVIAMENTO - 230/60/1	RELAIS - 230/50/1 RELAIS - 230/60/1	RELAIS - 230/50/1 RELAIS - 230/60/1
3	620167 01 620167 21	STARTING CAPACITOR - 230/50/1 STARTING CAPACITOR - 230/60/1 RUNNING CAPACITOR - 230/50/1 RUNNING CAPACITOR - 230/60/1	CAPACITA' AVVIAMENTO - 230/50/1 CAPACITA' AVVIAMENTO - 230/60/1 CAPACITA' MARCIA - 230/50/1 CAPACITA' MARCIA - 230/60/1	CAPACITE DE DEMARRAGE - 230/50/1 CAPACITE DE DEMARRAGE - 230/60/1 CAPACITE PERMANENT - 230/50/1 CAPACITE PERMANENT - 230/60/1	STARTKONDENSATOR - 230/50/1 STARTKONDENSATOR - 230/60/1 BETRIEBSKONDENSATOR - 230/50/1 BETRIEBSKONDENSATOR - 230/60/1
5	CM 19300357	DRIER	FILTRO	DESHYDRATEUR	TROCKNER
6	CM 19301267	MECHANICAL FILTER	FILTRO MECCANICO	FILTRE MECANIQUE	MECHANISCHER FILTER
7	CM 19863034	HOT GAS VALVE	VALVOLA GAS CALDO	VANNE GAZ CHAUD	HEISSGASVENTIL
8	CM 19550623	HI PRESSURE CONTROL	PRESSOSTATO SICUREZZA	PRESSOSTAT DE SECURITÉ	SICHERHEITPRESSOSTAT
9	CM 19177068	AIR COOLED CONDENSER	CONDENSATORE AD ARIA	CONDENSEUR A AIR	KONDENSATOR
10	CM 25156573	CONDENSER SHROUD	CONVOGLIATORE	CONVOYEUR	KONDENSATOR GEHÄUSE
11	CM 18562524	FAN MOTOR	MOTORE VENTILATORE	MOTEUR DU VENTILATEUR	LUFTERMOTOR
12	CM 18740032 CM 25726513	FAN BLADE FAN BRACKET	VENTOLA SUPPORTO MOTORE	HELICE SUPPORT MOTEUR	FLUEGEL LUFTER MOTOR TRAEGER
*	CM 19870842	THERM. EXP. VALVE	VALVOLA D'ESPANSIONE	DETENDEUR	EXPANSIONSVENTIL
		* NOT SHOWN	* NON MOSTRATO	* PAS MONTRÉ	* NICHT ABGEBILDET

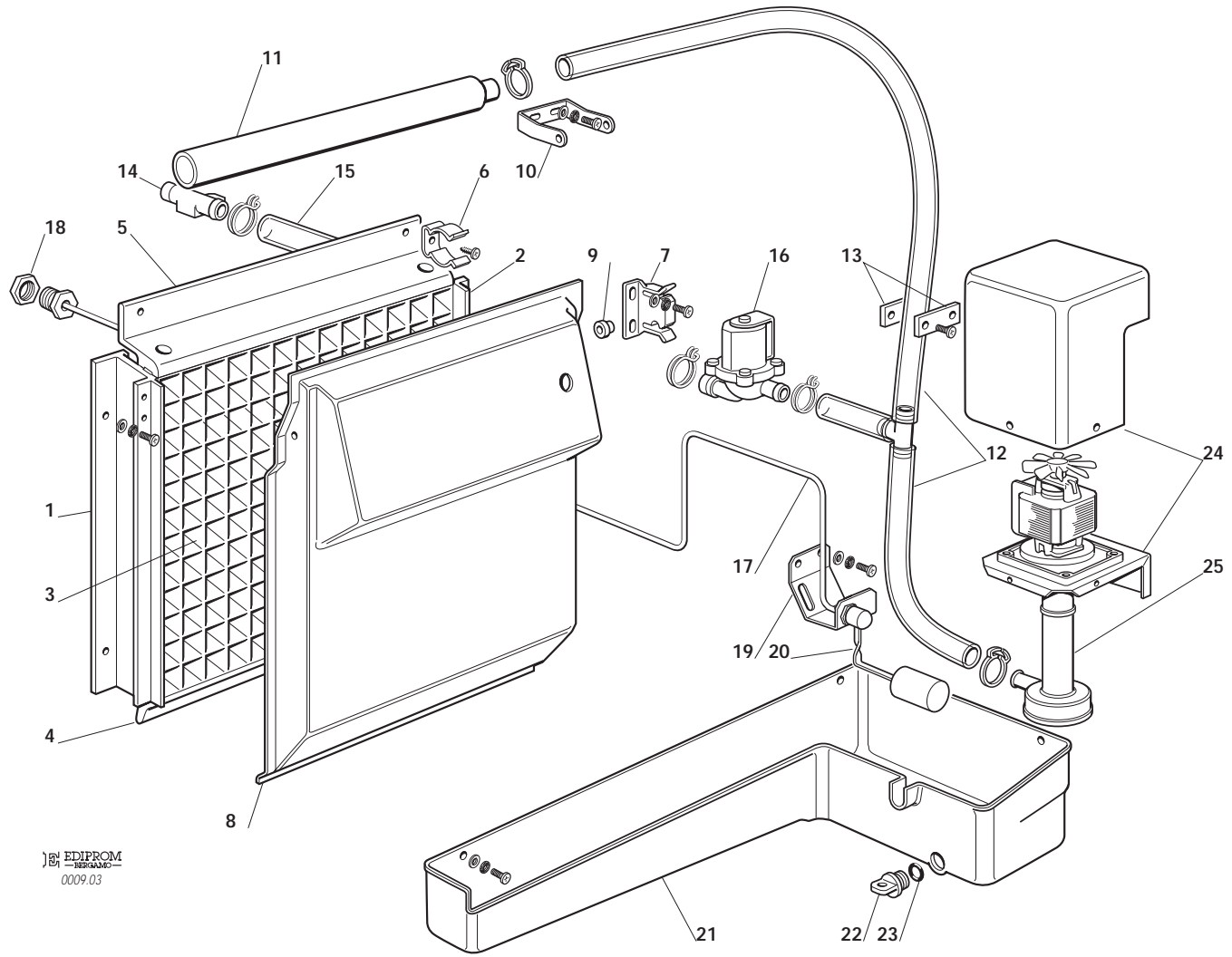


EDIPROM  
BERGAMO  
0005.03

**MV 130 - REFRIGERANT SYSTEM WATER COOLED - SISTEMA REFRIGERANTE RAFFR. AD ACQUA**  
**CIRCUIT FRIGORIFIQUE REFROID. PAR EAU - WASSERGEKÜHLTE GEFRIERSYSTEM**

ITEM NO POS NO REP. NO REF. NO	PART NO CODICE REFERENCE STUECK NR	DESCRIPTION	DESCRIZIONE	DESIGNATION	BESCHREIBUNG
1	670101 03 620058 51	COMPRESSOR - 230/50/1 COMPRESSOR - 230/60/1 PROTECTOR - 230/50/1 PROTECTOR - 230/60/1	COMPRESSORE - 230/50/1 COMPRESSORE - 230/60/1 PROTETTORE - 230/50/1 PROTETTORE - 230/60/1	COMPRESSEUR - 230/50/1 COMPRESSEUR - 230/60/1 PROTECTEUR - 230/50/1 PROTECTEUR - 230/60/1	KOMPRESSOR - 230/50/1 KOMPRESSOR - 230/60/1 SCHUTZVORRICHTUNG - 230/50/1 SCHUTZVORRICHTUNG - 230/60/1
2	620168 22	STARTING RELAY - 230/50/1 STARTING RELAY - 230/60/1	RELE AVVIAMENTO - 230/50/1 RELE AVVIAMENTO - 230/60/1	RELAIS - 230/50/1 RELAIS - 230/60/1	RELAIS - 230/50/1 RELAIS - 230/60/1
3	620167 01 620167 21	STARTING CAPACITOR - 230/50/1 STARTING CAPACITOR - 230/60/1 RUNNING CAPACITOR - 230/50/1 RUNNING CAPACITOR - 230/60/1	CAPACITA' AVVIAMENTO - 230/50/1 CAPACITA' AVVIAMENTO - 230/60/1 CAPACITA' MARCIA - 230/50/1 CAPACITA' MARCIA - 230/60/1	CAPACITE DE DEMARRAGE - 230/50/1 CAPACITE DE DEMARRAGE - 230/60/1 CAPACITE PERMANENT - 230/50/1 CAPACITE PERMANENT - 230/60/1	STARTKONDENSATOR - 230/50/1 STARTKONDENSATOR - 230/60/1 BETRIEBSKONDENSATOR - 230/50/1 BETRIEBSKONDENSATOR - 230/60/1
5	CM 19300357	DRIER	FILTRO	DESHYDRATEUR	TROCKNER
6	CM 19301267	MECHANICAL FILTER	FILTRO MECCANICO	FILTRE MECANIQUE	MECHANISCHER FILTER
7	CM 19863034	HOT GAS VALVE	VALVOLA GAS CALDO	VANNE GAZ CHAUD	HEISSGASVENTIL
8	CM 19550623	HI PRESSURE CONTROL	PRESSOSTATO SICUREZZA	PRESSOSTAT DE SECURITÉ	SICHERHEITPRESSOSTAT
9	CM 81453498	WATER COOLED CONDENSER	CONDENSATORE AD ACQUA	CONDENSEUR A EAU	KONDENSATOR
10	CM 19865612	WATER REGULATING VALVE	VALVOLA PRESSOSTATICA	VANNE PRESSOSTATIQUE	WASSERREGLER VENTIL
11	CM 25791477	PLASTIC TUBE	TUBO	TUYAU	SCHLAUCH
12	CM 25690806	DRAIN FITTING	RACCORDO DI SCARICO	RACCORDE EVACUATION EAU	WASSERABFLUSS STÜCK
13	CM 81453503	ACCUMULATOR ASSY	ASS. ACCUMULATORE	ENS. ACCUMULATEUR	SAMMLER
14	620419 32	FAN BLADE	VENTOLA	HELICE	FLUEGEL
15	620419 00	FAN MOTOR	MOTORE VENTILATORE	MOTEUR VENTILATEUR	LUFTERMOTOR
*	CM 19870842	THERM. EXP. VALVE	VALVOLA D'ESPANSIONE	DETENDEUR	EXPANSIONSVENTIL
		* NOT SHOWN	* NON MOSTRATO	* PAS MONTRÉ	* NICHT ABGEBILDET

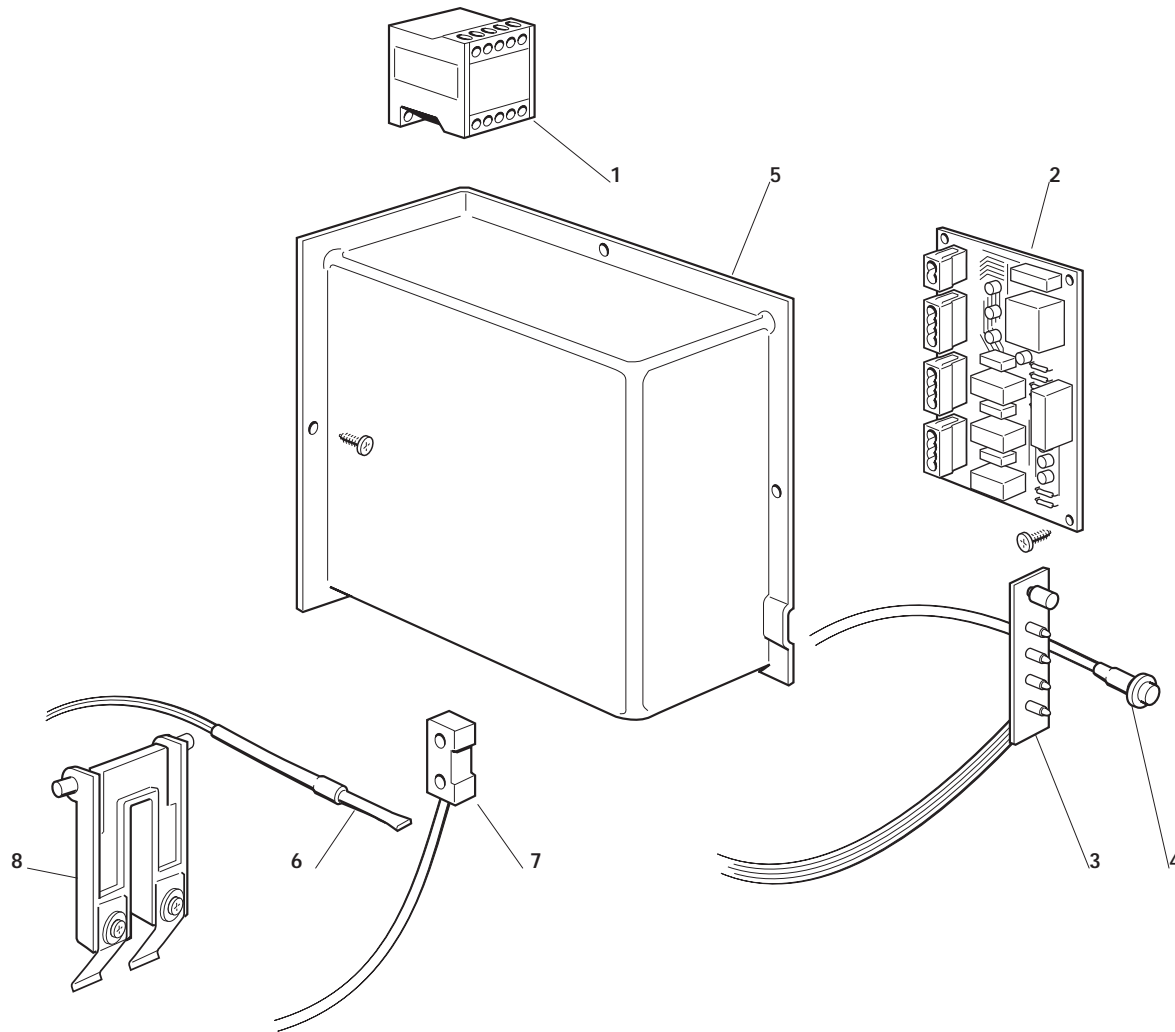




EDIPROM  
REGALM  
0009.03

## SV 130 - ICE MAKING SYSTEM - GRUPPO EVAPORATORE - GROUP EVAPORATEUR - VERDAMPFER

ITEM NO POS NO REP. NO REF. NO	PART NO CODICE REFERENCE STUECK NR	DESCRIPTION	DESCRIZIONE	DESIGNATION	BESCHREIBUNG
1	CM 25620287	PLASTIC BRACKET, LEFT SIDE	SUPPORTO IN PLASTICA SX	SUPPORT EN PLASTIQUE - GAUCHE	LINKSPLASTIK KLAMMER
2	CM 25620288	PLASTIC BRACKET, RIGHT SIDE	SUPPORTO IN PLASTICA DX	SUPPORT EN PLASTIQUE - DROITE	RECHTS PLASTIK KLAMMER
3	CM 81453457	EVAPORATOR ASSY EVAPORATOR ASSY - HALF DICE	ASS. EVAPORATORE ASS. EVAPORATORE - MEZZO CUBETTO	ENS. EVAPORATEUR ENS. EVAPORATEUR - DEMI GLAÇON	VERDAMPFEREINHEIT VERDAMPFEREINHEIT - MINI WÜRFEL
4	CM 25620315	PLASTIC BRACKET, BOTTOM SIDE	SUPPORTO IN PLASTICA INF.	SUPPORT EN PLASTIQUE - INF.	PLASTIKTRÄGER - UNTEN
5	CM 25620314	PLASTIC BRACKET, TOP SIDE	SUPPORTO IN PLASTICA SUP.	SUPPORT EN PLASTIQUE - SUP.	PLASTIKTRÄGER - OBEN
6	CM 25474608	METAL CLIP	MOLLETTA IN METALLO	SUPPORT	UNKLAMMERN
7	CM 25726473	BRACKET, DEFLECTOR COVER	SUPPORTO COPERCHIO DEFLETTORE	SUPPORT COUVERCLE/DEFLECTEUR	LENKWAND KLAMMERN
8	CM 81453466	DEFLECTOR COVER	COPERCHIO DEFLETTORE	COUVERCLE/DEFLECTEUR	LENKWAND
9	CM 25560133	PIN	PERNO	PIVOT	STIFT
10	CM 25725450	BRACKET, ICE THICKNESS SENSOR	SUPPORTO SENSORE GHIACCIO	SUPPORTO DISPOSITIF CAPTEUR	EISMEßFÜHLER KLAMMERN
11	CM 81453460	TUBE, WATER DISTRIBUTOR	TUBO DI DISTRIBUZIONE	POMPE DE DISTRIBUTION EAU	WASSERSPRUEHEINHEIT
12	CM 81453479	TUBE, WATER	TUBO	TUYAU	ROHR
13	CM 81453015	WATER FLOW ADJUSTER ASSY	ASS. REGOLATORE PORTATA	ENS. REGLEUR DE DEBIT EAU	WASSERFLUSS REGLER
14	CM 25690806	DRAIN FITTING, WATER	RACCORDO SCARICO	RACCORD EVACUATION EAU	WASSERABFLUSS STÜCK
15	CM 25791465	TUBE	TUBO	TUYAU	SCHLAUCH
16	CM 19865525	VALVE, WATER DRAIN	VALVOLA DI SCARICO	VANNE DE VIDANGE EAU	WASSERABFLUSSVENTIL
17	CM 81453476	TUBE, WATER INLET	TUBO	TUYAU	ROHR
18	CM 25250105	NUT	DADO	ECROU	MUTTER
19	CM 25726524	METAL BRACKET	SUPPORTO IN METALLO	SUPPORT EN METAL	TRAEGER
20	02002217 02	FLOAT VALVE	GALLEGGIANTE	FLOTTEUR	SCHWIMMERVERTIL
21	CM 81453467	WATER SUMP	VASCETTA ACQUA	RESERVOIR D'EAU	WASSERBECKEN
22	CM 25730503	DRAIN PLUG	TAPPO SCARICO	BOUCHON DE VIDANGE	VERSCHLUßSCRAUBE
23	CM 41020488	O RING	GUARNIZIONE OR	JOINT TORIQUE	O RING
24	CM 81453139	BRACKET, PUMP	SUPPORTO POMPA	SUPPORT POMPE	PUMPENTRAEGER
25	620433 02 620433 03	WATER PUMP - 230/50/1 WATER PUMP - 230/60/1	POMPA - 230/50/1 POMPA - 230/60/1	POMPE A EAU - 230/50/1 POMPE A EAU - 230/60/1	WASSERPUMPE - 230/50/1 WASSERPUMPE - 230/60/1



EDIPROM  
 BERGAMO  
 0009.04

**SV 130 - P.C. BOARD AND SENSOR ASSY - SCHEDA ELETTRONICA E SENSORI**  
**ENS. CARTE ELECTRIQUE ET DETECTEURS - ELEKTRONISCHE KARTE UND TEMPERATURFUEHLERENHEIT**

ITEM NO POS NO REP. NO REF. NO	PART NO CODICE REFERENCE STUECK NR	DESCRIPTION	DESCRIZIONE	DESIGNATION	BESCHREIBUNG
1	CM 33730609	CONTACTOR	TELERUTTORE	CONTACTEUR	SCHALTSCHÜTZ
2	CM 33580100	P.C. BOARD	SCHEDA ELETTRONICA	CARTE ELECTRONIQUE	STEUERKARTE
3	CM 33580024	MONITORING LED ASSY	PANNELLO DI CONTROLLO	ENS. LED DE SIGNALISATION	SIGNAL LED EINHEIT
4	CM 33470506	WARNING LIGHT	LUCE SPIA	TEMOIN ROUGE	ROTSIGNALLAMPE
5	CM 25161115	CONTROL BOX COVER	COPERCHIO	COUVERCLE	ANSCHLUSSKASTEN GEHAUSE
6	CM 33580101	CONDENSER SENSOR	SENSORE CONDENSATORE	SONDE CONDENSEUR	KONDENSER FÜHLER
7	CM 33210013 CM 19355004	MAGNETIC SENSOR MAGNET	SENSORE MAGNETICO MAGNETE	SONDE MAGNETIQUE MAGNETO	MAGNETISCHES FÜHLER MAGNET
8	CM 81453434	ICE THICKNESS SENSOR	SENSORE SPESSORE GHIACCIO	SONDE EPAISSEUR GLAÇONS	EISGROSSEN&FÜHLER

# SIMAG

ICE MACHINES

[www.simag.it](http://www.simag.it)

SIMAG  
via Risorgimento, 4  
20017 Mazzo di Rho (MI) - Italy  
Tel. +39 02 93900215 (Commerciale - Sales Dept.)  
Tel. +39 02 93960357 (Assistenza - Service Dept.)  
Fax +39 02 93900226 (Commerciale - Sales Dept.)  
Fax +39 02 93960366 (Assistenza - Service Dept.)  
e-mail: [sales@simag.it](mailto:sales@simag.it)  
e-mail: [service@simag.it](mailto:service@simag.it)

Singapore Office  
SIMAG FAR EAST  
627A Aljunied Road  
04-04 Biztech Centre  
Singapore 389842  
Tel. ++65 6738 5393  
Fax ++65 6738 1959  
e-mail: [scotsice@singnet.com.sg](mailto:scotsice@singnet.com.sg)



Certified ISO 9001  
TOTAL QUALITY

