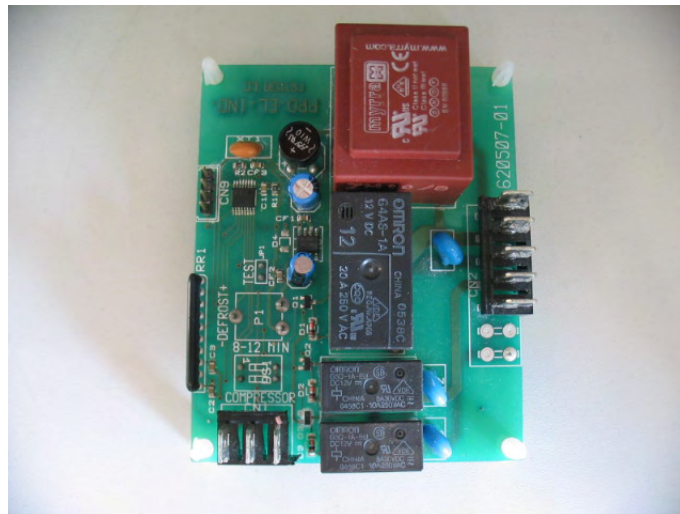


SERVICE BULLETIN – 01/DECEMBER 2009

SDN 85 - SDN 145 - SDN 215

NEW ELECTRONIC TIMER

As done on SDN 25-30-35 Models we are switching from an electromechanical to a new Electronic TIMER in all our SDN Series.

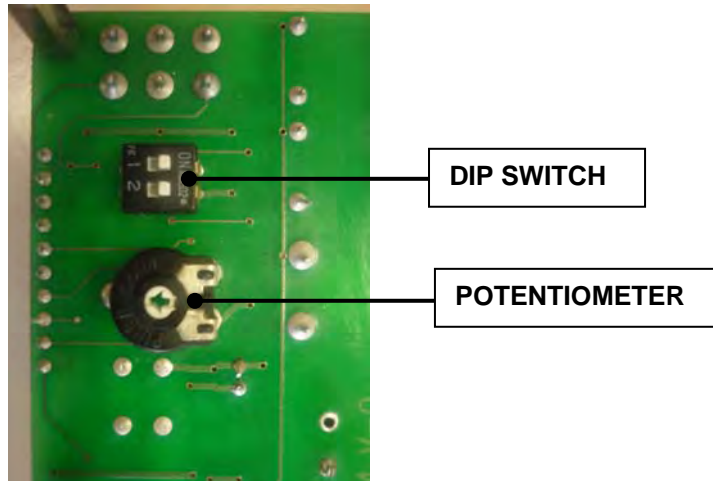


so now starting from the following Serial Numbers:

SDN 85	Serial Number	557105
SDN 145	Serial Number	953473
SDN 215	Serial Number	91308

has been installed a electronic timer, available under Part Number **620507 01**.

New Electronic Timer is equipped with a DIP Switch and a Potentiometer, as per photo below.



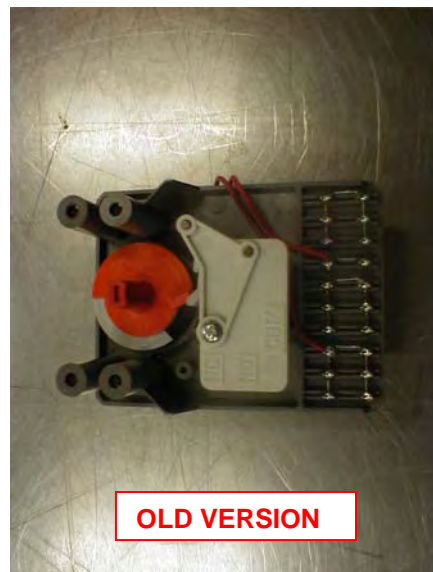
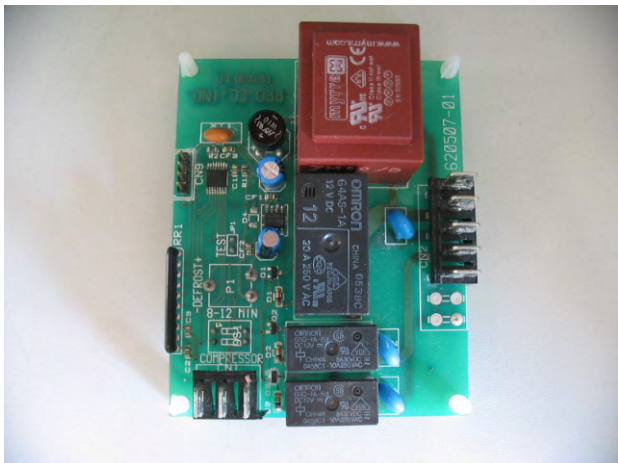
The DIP SWITCH has two switching keys (ON-OFF) which allow to change the functions as detailed herebelow:

- First DIP SWITCH Key. ON, standard position, supply power directly to the Compressor. OFF shuts-off the compressor. It replaces the previous Compressor Switch.
- Second DIP SWITCH Key. ON, 12'.Timing portion of the freezing cycle equal to 12 minutes. OFF to 8 minutes.

POTENTIOMETER used to adjust the defrost timer from 60'' min to 180'' max.

Due the different electrical connections, this new electronic Timer is NOT exchangeable with the former one used on the same models, as shown on the here below photo:

NEW VERSION



Attached you can find the layout of this new TIMER as well as the wiring diagram of the Ice Machines.

SCHEMA ELETTRICO

ELECTRICAL WIRING DIAGRAM

SDN 25/30/35/45/65/85

SCRN/SCN 35/45/65/75/85

00 - EMESSO

00	04629	RG	09.0209		DATA	09.02.09	SCHEMA ELETTRICO <i>ELECTRICAL WIRING DIAGRAM</i>			SDN 25/30/35/45/65/85 SCRN/SCN 35/45/65/75/85		230 Vac 50/60 Hz		=	=
					DISEGN.	R.GHIANI								=	=
					VISTO	G.ROMAGNOLI								+ +	+ +
REV.	MODIFICA	SG	DATA	FIRMA	APPR.	G.ROMAGNOLI	SOST. IL :	09.02.09	SOST. DA :	G.ROMAGNOLI	FILE :	05057800.DWG	050578-00	00	FG. 1
															F.S. 4

0

1

2

3

4

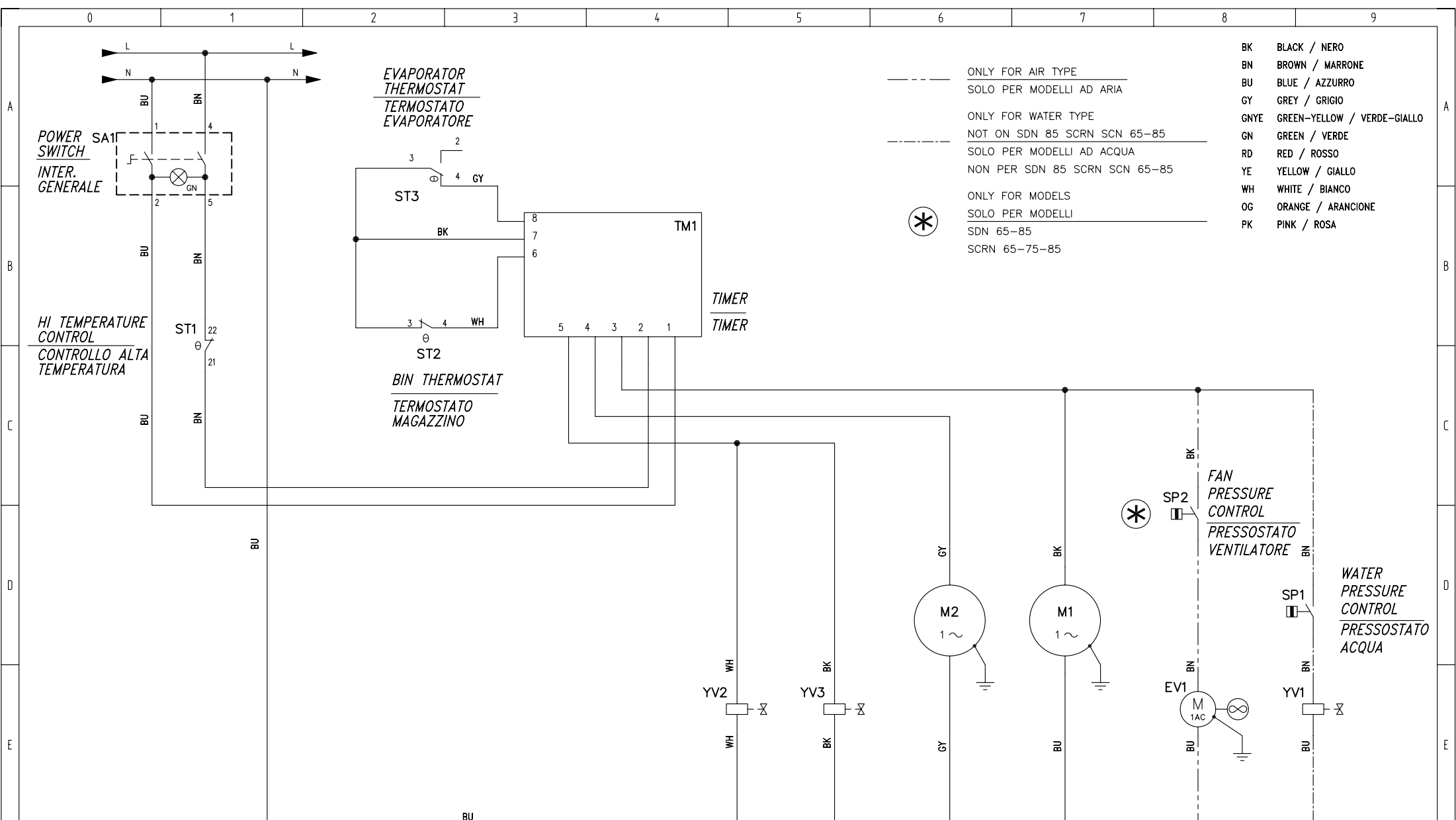
5

6

7

8

9



- BK BLACK / NERO
- BN BROWN / MARRONE
- BU BLUE / AZZURRO
- GY GREY / GRIGIO
- GNYE GREEN-YELLOW / VERDE-GIALLO
- GN GREEN / VERDE
- RD RED / ROSSO
- WH YELLOW / GIALLO
- YE WHITE / BIANCO
- OG ORANGE / ARANCIONE
- PK PINK / ROSA

----- ONLY FOR AIR TYPE
SOLO PER MODELLI AD ARIA

----- ONLY FOR WATER TYPE
NOT ON SDN 85 SCRN SCN 65-85
SOLO PER MODELLI AD ACQUA
NON PER SDN 85 SCRN SCN 65-85

----- ONLY FOR MODELS
SOLO PER MODELLI
SDN 65-85
SCRN 65-75-85



00 - EMESSO

00	04629	RG	09.0209		DATA	09.02.09
					DISEGN.	R.GHIANI
					VISTO	G.ROMAGNOLI
REV.	MODIFICA	SG	DATA	FIRMA	APPR.	G.ROMAGNOLI

SCHEMA ELETTRICO
ELECTRICAL WIRING DIAGRAM

SDN 25/30/35/45/65/85
SCRN/SCN 35/45/65/75/85

230 Vac 50/60 Hz

050578-00

=	=
+	+
00	FG. 2 F.S. 4

SOST. IL : 09.02.09 SOST. DA : G.ROMAGNOLI FILE : 05057800.DWG

SCHEMA ELETTRICO

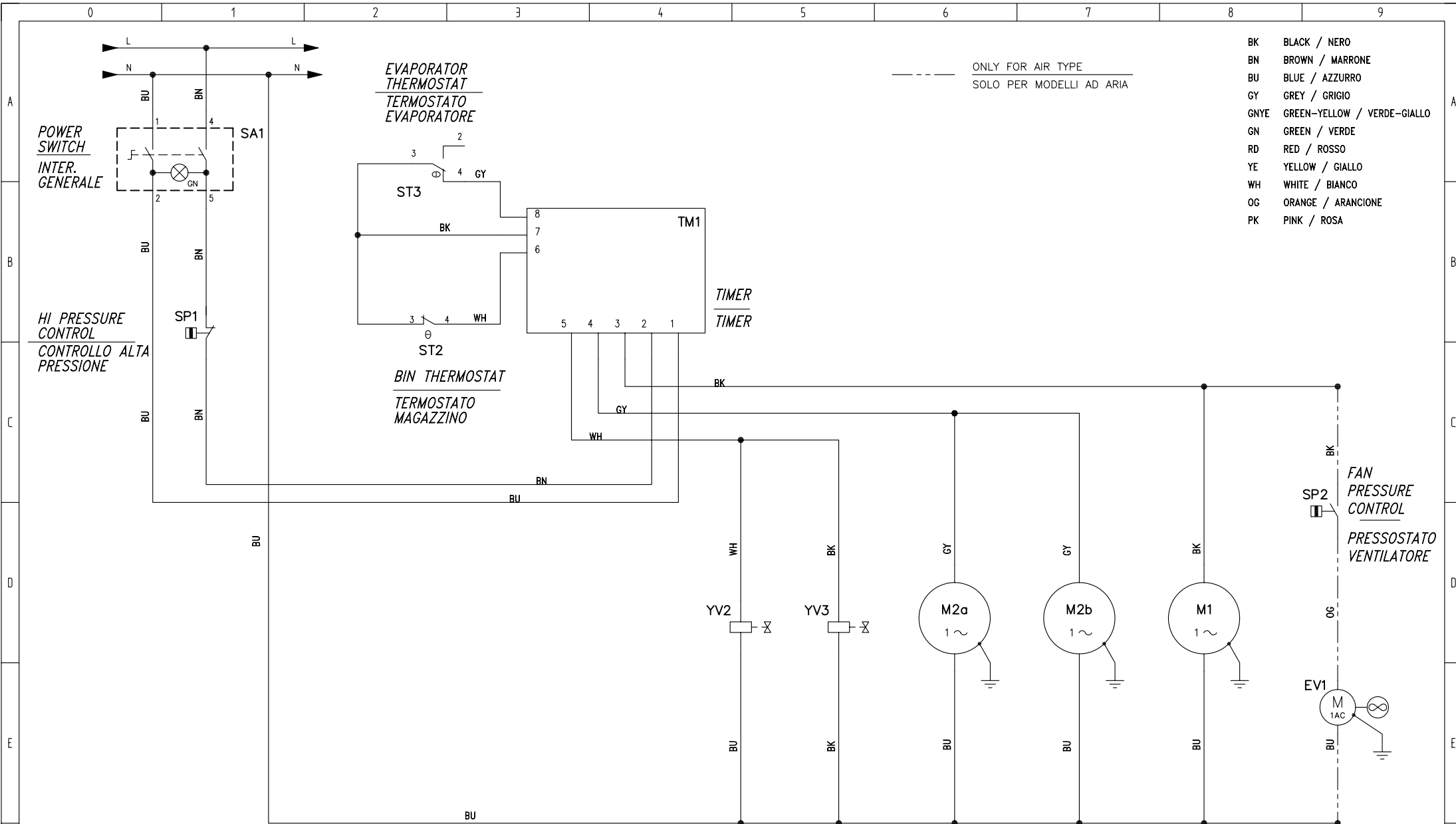
ELECTRICAL WIRING DIAGRAM

SDN 145/215

00 - EMESSO

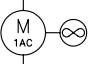
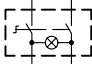

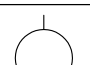
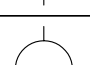
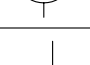



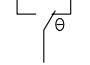

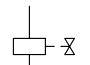
00	04710	SB	09.0209		DATA	09.12.09	SCHEMA ELETTRICO <i>ELECTRICAL WIRING DIAGRAM</i>			SDN 145/215		230 Vac 50/60 Hz		=	=
					DISEGN.	S.BERTOLETTI								+ +	
					VISTO	G.ROMAGNOLI									
REV.	MODIFICA	SG	DATA	FIRMA	APPR.	G.ROMAGNOLI	SOST. IL :	09.12.09	SOST. DA :	G.ROMAGNOLI	FILE :	05057801.DWG	050578-01	00	FG. 1 F.S. 4

0 1 2 3 4 5 6 7 8 9



00 - EMESSO

00	04710	SB	09.0209		DATA	09.12.09	SCHEMA ELETTRICO ELECTRICAL WIRING DIAGRAM			SDN 145/215		230 Vac 50/60 Hz		=	=					
				DISEGN.	S.BERTOLETTI															+ +
				VISTO	G.ROMAGNOLI															
REV.	MODIFICA	SG	DATA	FIRMA	APPR.	G.ROMAGNOLI	SOST. IL :	09.12.09	SOST. DA :	G.ROMAGNOLI	FILE :	05057801.DWG	050578-01		00	FG. 2 F.S. 4				

Sim.\Sym.	Sigla\Item	Funzione\Use Type	Sim.\Sym.	Sigla\Item	Funzione\Use Type	Sim.\Sym.	Sigla\Item	Funzione\Use Type
	EV1	Fan motor Ventilatore		SA1	Power switch Interruttore generale			
	M1	Compressor Compressore						
	M2a	Water pump Pompa acqua						
	M2b	Water pump Pompa acqua						
	SP1	HI Pressure control Controllo alta pressione						
	SP2	Fan pressure control Pressostato ventilatore						
	ST2	Bin thermostat Termostato magazzino						
	ST3	Evaporator thermostat Termostato evaporatore						
	TM1	Electronic timer Timer elettronico						
	YV2	Water inlet valve Elettrovalvola ingresso acqua						
	YV3	Hot gas valve Elettrovalvola gas caldo						

00 - EMESSO

00	04710	SB	09.0209	DATA	09.12.09	LEGENDA SIMBOLI SYMBOLS LEGEND	SDN 145/215		230 Vac 50/60 Hz		= =				
				DISEGN.	S.BERTOLETTI						+ +				
				VISTO	G.ROMAGNOLI										
REV.	MODIFICA	SG	DATA	FIRMA	APPR.	G.ROMAGNOLI	SOST. IL :	09.12.09	SOST. DA :	G.ROMAGNOLI	FILE :	05057801.DWG	050578-01	00	FG. 3
															F.S. 4

0 1 2 3 4 5 6 7 8 9

